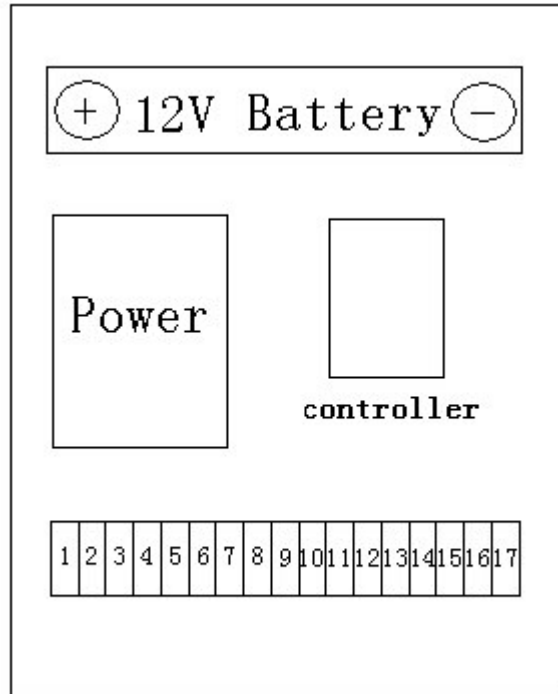


CrossOver Door Controller

Installation Instructions



TimePilot Corporation 340 McKee St., Batavia, Illinois 60510
630-879-6400 www.CrossOverLock.com



SPECIFICATIONS

Input Voltage: 110V or 220V AC

Power Supply: 12V to 24V DC, 5AMP

Output Relay: 12V, 5AMP

Operating Temp: -18°C to +70°C (0°F to +158°F)

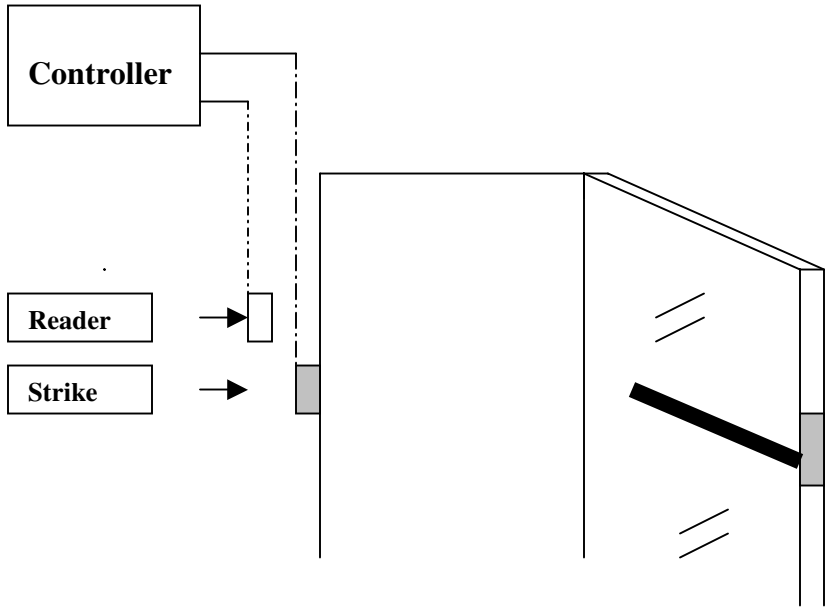
Power Consumption: 15 mA unloaded, 1.5AMP Maximum

Enclosure Size: Steel enclosure with hinged lid, 12"×9"×4"

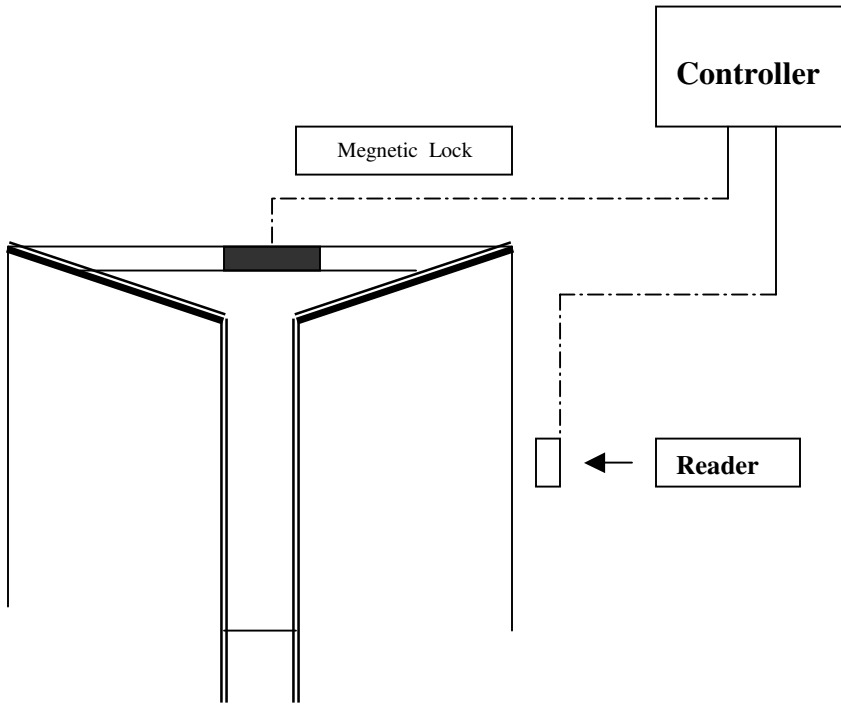
INSTALLATION

Mounting Instructions

1. **Mount access device per instruction sheet provided by manufacture.**



Single Door

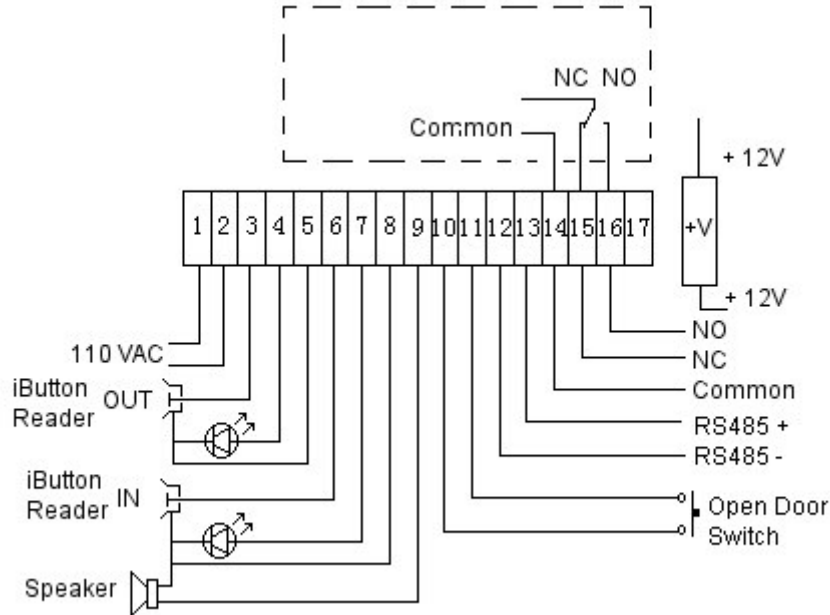


Double Door

* Exit Device must be ordered for specific door width, cutting of rail in field is not recommended.

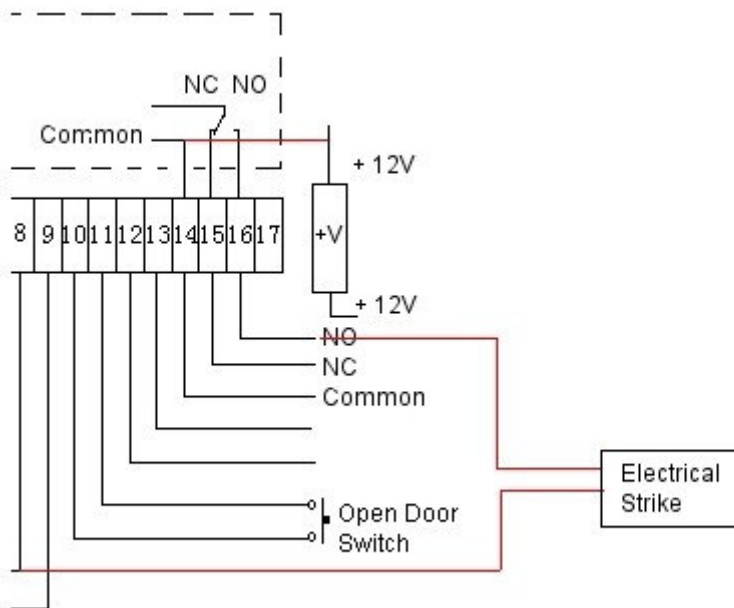
2. Install the controller and ibutton reader at preferred location.

Wire instructions

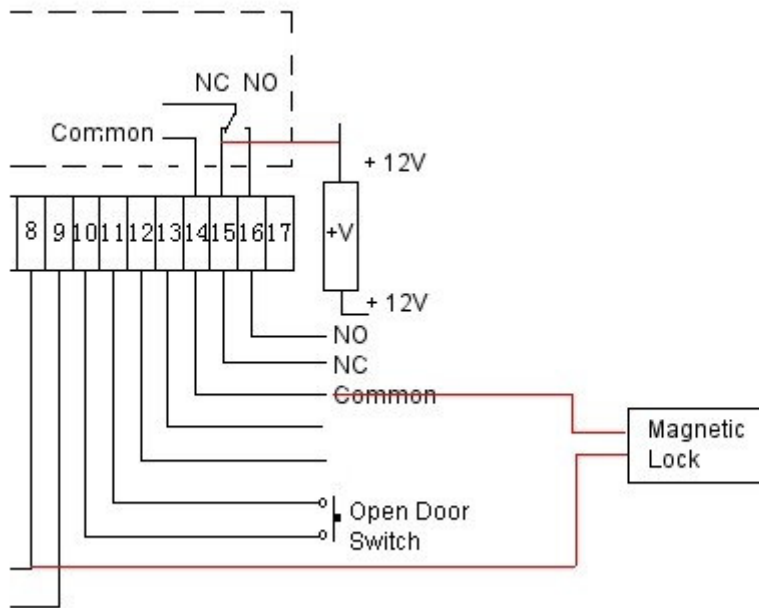


There are many ways to connect the exit device to the controller, for you reference, we provide you four common methods:

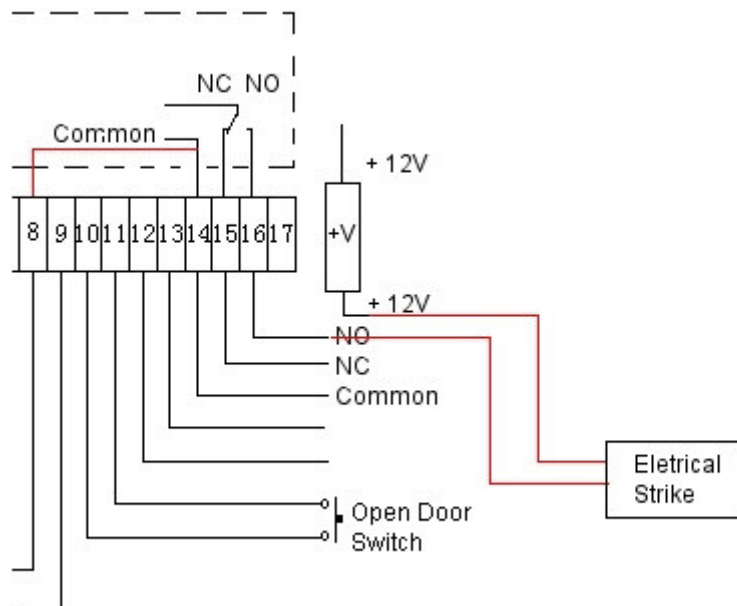
1. Using jump wire connects the COM to V+; connect the Normal Close (NC) or Normal Open (NO) to the positive side of the exit device, negative side to the Ground (GND).



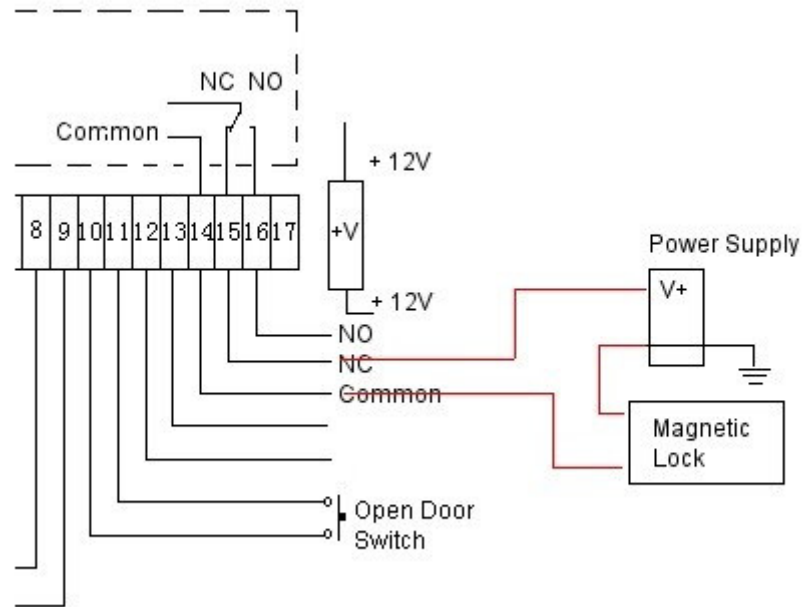
- Using jump wire connect the NC or NO to V+, connect the COM to positive side of the exit device, connect negative side to the GND.



- Using jump wire connect the COM to GND, connect the NC or NO to negative side of the exit device, connect V+ to the positive side.



- If you using separate power to run the exit device, then connect NC or NO to positive of power supply, negative to exit device; connect COM to positive side of exit device.



Controller Setup

Manual setup

There is a simple method to program the locks without using the PC software. The following steps will show you how to set up key system:

1. **Master Key:** To set master key, short the GND to the INIT* of the controller box, touch the master key (any selected DS-1990) to the reader, you will hear a beep and green light will turn on for couple seconds. This indicates the master key is ready.
- * **Disconnect the jumper wire before adding the user key**
2. **Adds Key:** Use the master key to touch the ibutton reader, the lock will emit a beep and green light will turn on for 5 seconds. The lock is now in “Add Key” mode. While the green light is still on, touch the user keys one by one, the lock will beep and green light will remain on to indicate a successful addition, user keys now add to the lock.
3. **Delete Key:** Use the master key to touch the ibutton reader once, green light flash. Touch the master key again to the reader, Red light flash. Lock is in “Delete Key” Mode. Touch the keys you want to delete one by one. When finish, wait till the red light is off.
4. **Delete All:** Use the master key to touch the ibutton reader once, green light flash. Touch the master key again to the reader, the red light flash. Touch the master key 5 more times to the reader; audio with one long beep, all the keys are deleted from the lock.

Program Setup

Short the GND to the INIT* on the controller box, then create a new lock setup mission in the software. For more details, please refer to the CrossOver Lock System software manual.

***Disconnect the jumper wire after the new lock is set up.**